



# LED EP20-4020cecw-2

Part #: EBP20DM/M/5.5W/500/40D/27K/E26/CEC/2 Bulb Class: PAR20



## Product Description

LED EP20-4020cecw-2 delivers superior brightness, valuable energy savings, long lasting performance and true color perception. These PAR20 LED spot bulbs are ideal for task lighting due to its uniform \*warm white light (2700K) and replace conventional 50 Watt incandescent light bulbs. Enjoy features such as: instant on, dimming options, shatter resistance, mercury free, 90+CRI and damp rated.



**Estimated Energy Cost:** \$0.66 per year

\*Note: Design, features and specifications subject to change without notice. Some features may not be available on all models. For more information regarding dimmer compatibility please visit: [www.eurilighting.com](http://www.eurilighting.com) or call 1-888-743-5766

Available only as a twin-pack.  
(EP20-4020cecw-2 contains 2 LED Bulbs.)

## Specifications

Input Power	Input Voltage	Lumen Output	Beam Angle	Center Beam	CCT
5.5 W	120V/60Hz	500 lm	40°	N/A	2700 K
CRI	Luminous Efficacy	Power Factor	Input Current	Base/Cap	Lamp Lifespan
90	90 lm/W	0.9	0.05 A	E26	25,000 Hrs.

### Product Features



Dimmable



Instant-On/Off

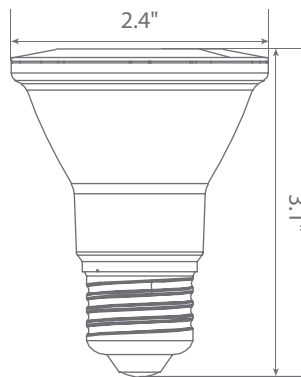


Mercury Free

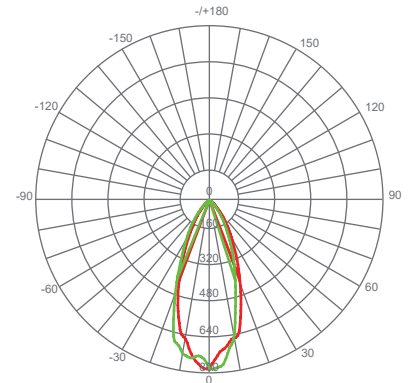


Damp Rated

### Product Dimensions



### Product Photometric Data



Euri Lighting | A Division of IRTRONIX Inc.

20900 Normandie Avenue Bldg. B, Torrance, CA 90502 | Tel: 888.743.5766 | Fax: 310.787.1166 | [www.eurilighting.com](http://www.eurilighting.com)  
©2018 Euri Lighting. All Rights Reserved