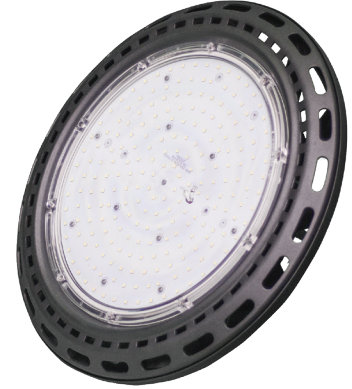
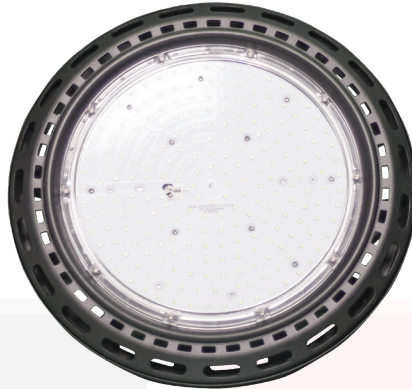


# LED UFO GEN2

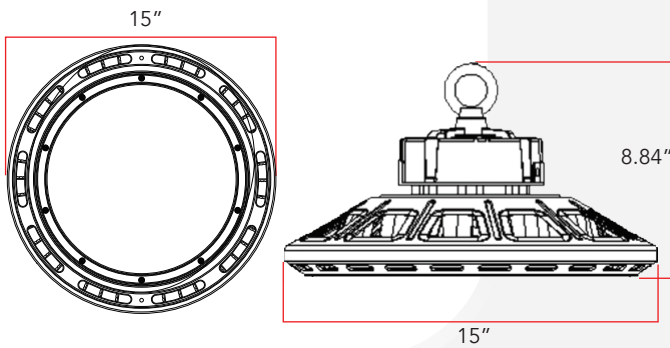
UFO High Bay



The LED UFO High Bay is an ideal replacement for metal halide. The thermal management from the fin type aluminum heat sink enables the lumen efficacy to be higher.



## DIMENSIONS



## CERTIFICATIONS



## FEATURES

- Aluminum
- Nichia SMD
- Multiple mounting options
- **Rated IP65**
- 3-Dimension heat dissipation
- Ease of installation and maintenance
- Can work with motion sensors
- 5 Year Manufacturer's Warranty

## COMMON TECHNICAL DATA

Color Temperature	4000K to 5000K
CRI	> 80
Beam Angle	60°/120°
Operation Temperature	-30°C to 50°C
Efficiency	More than 130 LPW
Input Voltage	AC100-277V/200-480V
Frequency	50-60Hz
Power Factor	More than 0.95
Rated Life	50,000 hours
LED Type	Nichia 3030
Dimming	0-10V

## WARRANTY

This product has a warranty for a period of 5 years from the date of purchase. The warranty is invalid in the case of improper installation, tampering, or removal of the Q.C. date label. Installation in an improper working environment or installation not according to the current edition of the National Electric Code also invalidates the warranty. Should this product fail during the warranty period, it will be replaced free of charge, subject to correct installation and return of the faulty unit. JL Lighting does not accept responsibility for any installation costs associated with the replacement of this product. This warranty is in addition to the statutory rights in the country of purchase. JL Lighting reserves the right to alter specifications without prior notice.

## PRODUCT SPECIFICATION

Product Number	Wattage	Color	Beam Angle	Lumens	Dimmable	Input Voltage	QTY/CTN
EV-U80W BDZ	80W	4000K-5000K	60°/120°	10,800	0-10V	AC100-277V/AC200-480V	1pc/CTN
EV-U100W BDZ	100W	4000K-5000K	60°/120°	13,500	0-10V	AC100-277V/AC200-480V	1pc/CTN
EV-U150W BDZ	150W	4000K-5000K	60°/120°	20,250	0-10V	AC100-277V/AC200-480V	1pc/CTN
EV-U200W BDZ	200W	4000K-5000K	60°/120°	27,000	0-10V	AC100-277V/AC200-480V	1pc/CTN
EV-U240W BDZ	240W	4000K-5000K	60°/120°	31,200	0-10V	AC100-277V/AC200-480V	1pc/CTN

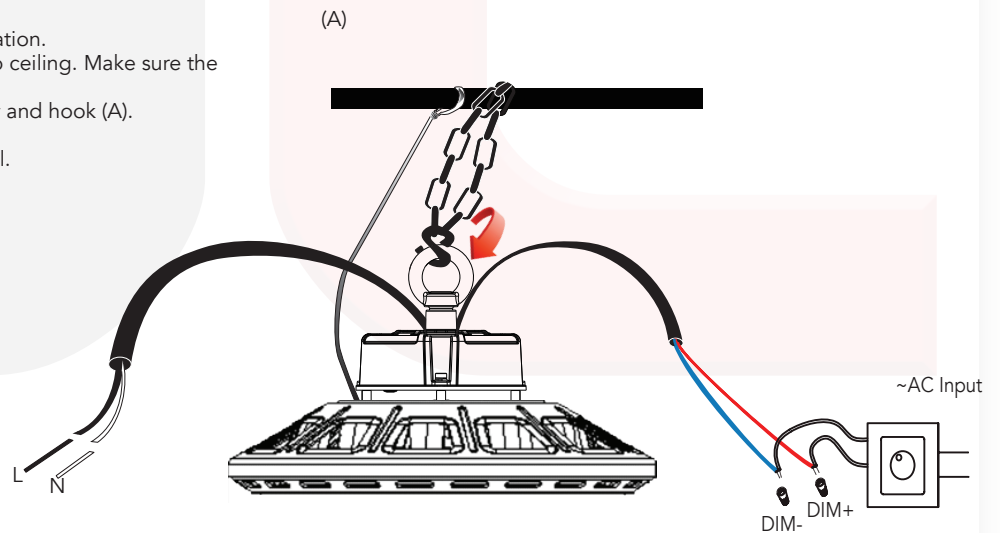
## ORDERING GUIDE

EV	U	80W/100W/150W/200W/240W	BDZ	60/120	4000K/5000K
Company Code	Housing Type	Wattage	Dimmable	Beam Angle	Color

## INSTALLATION INSTRUCTIONS

### Mounting Procedure:

1. Turn OFF power at the breaker panel before installation.
2. Secure chain to the loop. Fix luminaire with chain to ceiling. Make sure the loop is securely screwed into the luminaire (A).
3. Use the buckles to fix the safety rope with the body and hook (A).
4. Connect the AC wires and/or dimming wires.
5. Switch ON power to the fixture at the breaker panel.



## CAUTION

- Risk of fire- make sure power is OFF before installation.
- Risk of electric shock- make installation with gloves.
- All wiring needs to be performed per National Electrical Code and local code by a qualified electrician.
- These lamps can be used with a light dimmer.
- High temperatures inside luminaire make certain line voltage corresponds with ballast's primary voltage.
- If the lamp or luminaire exhibits undesirable operation (i.e. buzzing, flickering, etc.), immediately turn off power and remove the lamp from luminaire and contact manufacturer.
- Luminaires should not be installed in narrow space to guarantee enough air convection.
- Do not make mass installation before sample testing.