

# ECWH20Q ThermaLED technology

## ThermaLED Hooded Semi-Cutoff Large Wall Pack



12802 COMMODITY PL  
TAMPA, FL 33626  
PHONE: 844-636-2036  
SALES@ECO-REVOLUTION.COM  
WWW.ECO-REVOLUTION.COM

Order Information Example:			ECWH20QF1X58U4KCZSP				
Model	Optics	Wattage	Driver	CCT	Lens	Color	Options
ECWH20Q	F	1X58		4K	C		
<b>ECWH20Q=</b> ThermaLED Hooded Semi-Cutoff Large Wall Pack	<b>F=</b> Type IV	<b>1X58=</b> 58w	<b>U=</b> 120-277V <b>H=</b> 347-480V	<b>4K=</b> 4000K	<b>C=</b> Clear Flat Glass Lens	<b>Z=</b> Bronze <b>C=</b> Custom (Consult Factory)	<b>SF=</b> Single Fuse <b>DF=</b> Double Fuse <b>SP=</b> Surge Protection <b>PC1=</b> Photocell, 120VAC <b>PC2=</b> Photocell, 250-305VAC

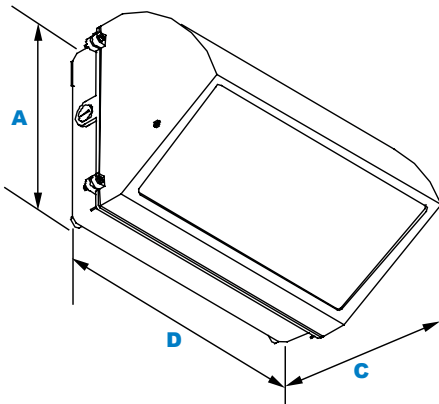


**L70**  
(25°C) **201,000 Hours**

Eco-Revolution's ECWH20Q semi-cutoff wall pack luminaire is designed to replace HID lighting systems from 250w to 400w MH or HPS. Typical wall mounted lighting applications include retail centers, industrial parks, schools and universities, public transit and airports, office buildings and medical facilities. Mounting heights of 18 to 30 feet can be used based on light level and uniformity requirements.

### Specifications and Features:

<b>Housing:</b>	Die Cast Hinged and Gasketed Aluminum Front Frame and Housing with 1/2" Coin Plugs. Nickel-Plated Stainless Steel Hardware. Photocell Adaptable.
<b>Listing &amp; Ratings:</b>	CSA: Listed for Wet Locations, ANSI/UL 1598, 8750 IP55 Sealed LED Compartment.
<b>Finish:</b>	Textured Architectural Bronze Powdercoat Finish Over a Chromate Conversion Coating. Custom Colors Available Upon Request.
<b>Lens:</b>	Tempered Clear Flat Glass Lens.
<b>Mounting Options:</b>	Cast-in Template for Mounting Directly Over a 4" Recessed Outlet Box, or Use 1/2" Surface Conduit.
<b>ThermaLED LED:</b>	Aluminum Boards
<b>Wattage:</b>	Array: 58w, System: 67.1w (400w HID Equivalent)
<b>Driver:</b>	Electronic Driver, 120-277V, 50/60Hz or 347-480V, 50/60Hz; Dimmable Driver
<b>Warranty:</b>	5-Year Warranty for -40°C to +40°C Environment.



#### Dimensions

<b>Width (D)</b>	18 1/4" (464mm)
<b>Depth (C)</b>	9 1/4" (235mm)
<b>Height (A)</b>	9" (229mm)

See Page 2 for Projected Lumen Maintenance Table.

#### Certification & Listings:



#### Project Information:

Project Name: \_\_\_\_\_ Fixture Type: \_\_\_\_\_

Complete Catalog #: \_\_\_\_\_ Date: \_\_\_\_\_

Comments: \_\_\_\_\_

**5 LOCATIONS**  
Tampa, FL  
Vancouver, WA  
Cerritos, CA  
Walden, NY  
Memphis, TN

# ECWH20Q **ThermaLED** technology

## ThermaLED Hooded Semi-Cutoff Large Wall Pack



12802 COMMODITY PL  
TAMPA, FL 33626  
PHONE: 844-636-2036  
SALES@ECO-REVOLUTION.COM  
WWW.ECO-REVOLUTION.COM

### Accessories & Replacement Parts:

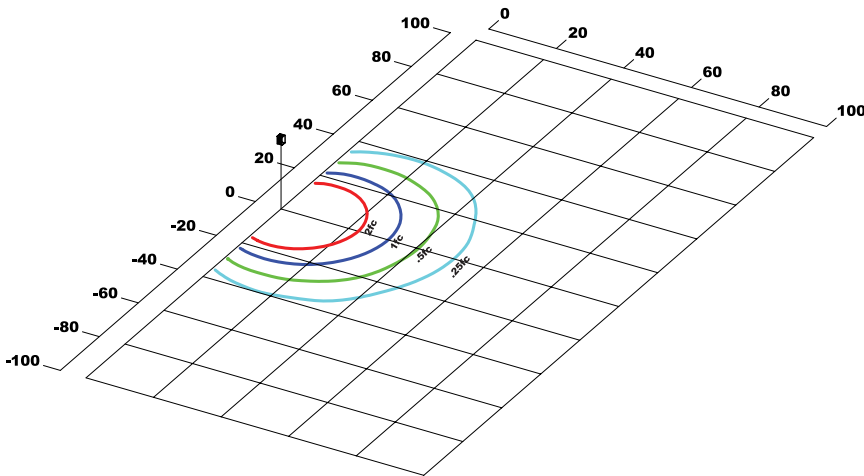


ECPC1 &  
ECPC2

#### Replacement Parts (Order separately, Field installed)

ECPC1	120VAC, Photocell
ECPC2	250-305VAC, Photocell

### Photometric Data



ECWH20QF1X58U4KC  
Type IV  
Grid in MH  
MH=20 Feet

### Photometric Performance

LED Board Watts	Drive Current (mA)	Input Watts	Optics	4000 CCT 80 CRI				
				Lumens	LPW	B	U	G
<b>ThermaLED 58w</b>	525	67	Type IV	7,034	105	2	3	3

### Projected Lumen Maintenance

Data shown for 4000 CCT		Compare to MH					
TM-21-11	Input Watts	Initial	25,000 Hrs	50,000 Hrs	100,000 Hrs	Calculated L70@ 25°C	
<b>L70 Lumen Maintenance @ 25°C / 77°F</b>	67	1.00	0.96	0.93	0.85	201,000	
TM-21-11	Input Watts	Initial	25,000 Hrs	50,000 Hrs	100,000 Hrs	Calculated L70@ 50°C	
<b>L70 Lumen Maintenance @ 50°C / 122°F</b>	67	1.00	0.93	0.86	0.73	110,000	
TM-21-11	Input Watts	Initial	25,000 Hrs	50,000 Hrs	100,000 Hrs	Calculated L80@ 40°C	
<b>L80 Lumen Maintenance @ 40°C / 104°F</b>	67	1.00	0.94	0.88	0.77	86,000	

**NOTES:**

1. Projected per IESNA TM-21-11. Data references the extrapolated performance projections for the 525mA base model in a 25°C ambient, based on 10,000 hours of LED testing per IESNA LM-80-08.
2. Compare to MH box indicates suggested Light Loss Factor (LLF) to be used when comparing to Metal Halide (MH) systems.