

# LED ECB100W-1150



Part #: ECB/M/100W/15000/360D/50K/E39/D Class: LED Corn Bulb

## Product Description

**LED** ECB100W-1150 delivers superior brightness, valuable energy savings and long lasting performance. This LED Corn Bulb is ideal for task lighting due to its uniform \*cool white light (5000K). Enjoy features such as: instant on, shatter resistance, and mercury free.



**Estimated Energy Cost:** \$12.04 per year

\*Note: Design, features and specifications subject to change without notice. Some features may not be available on all models. For more information please visit: [www.eurilighting.com](http://www.eurilighting.com) or call 1-888-743-5766

\*Minimum starting temperature -25°C (-13°F).

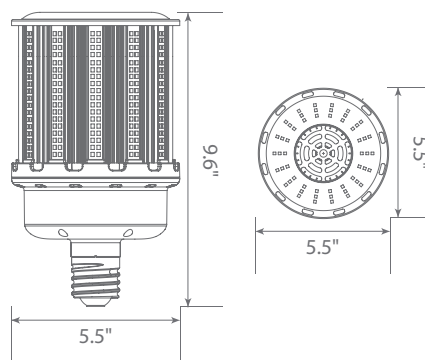
## Specifications

Input Power	Input Voltage	Lumen Output	Beam Angle	Center Beam	CCT
100 W	AC100-277V	15,000 lm	360°	NA cd	5000 K
CRI	Luminous Efficacy	Power Factor	Input Current	Base/Cap	Lamp Lifespan
80	150 lm/W	0.9	0.1 A	E39	50,000 Hrs.

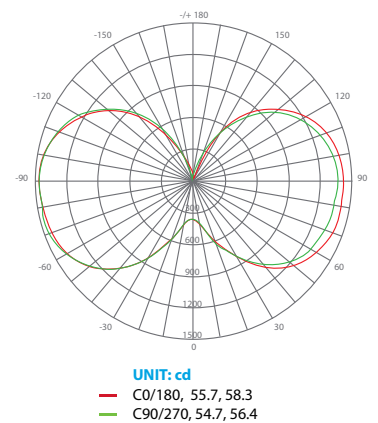
### Product Features

- Non-Dimmable
- Instant-On/Off
- Mercury Free
- Wet Rated

### Product Dimensions



### Product Photometric Data



**Euri Lighting | A Division of IRTRONIX Inc.**