



LED ET5-1140B

Part #: ELT5/F/25W/3200/185D/40K/G5/T/D Lamp Class: T5 (4 ft.)



Product Description

LED ET5-1140B; Ideal for any atmosphere that demands bright light, the Euri Lighting ET5-1140B offers easy, uncomplicated installation with bypass ballast capability. Built to last years, this glass LED linear tube provides exceptional light distribution in luminous Bright White (4000K) color. Using less than half the energy of standard fluorescent lighting, this slim 4-foot linear tube requires minimal watts for maximum lumen output, saving energy with every use. See Euri Lighting ET5-1150B for even brighter, Cool White (5000K).



Estimated Energy Cost: \$3.01 per year

*Note: Design, features and specifications subject to change without notice. Some features may not be available on all models. Please visit www.eurilighting.com or call 1-888-743-5766 for more information.



Frosted Glass Lens

Bypass Ballast

Built in driver replaces ballast operation reducing significant maintenance expenses.
(To be installed by a licensed electrician only)

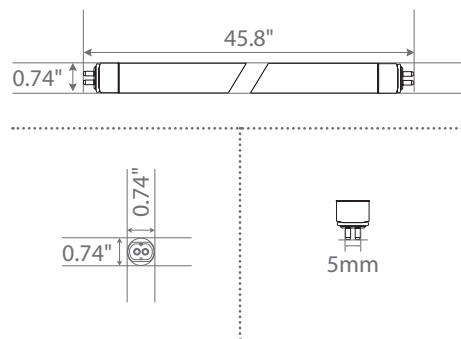
Specifications

Input Power	Input Voltage	Lumen Output	Beam Angle	Center Beam	CCT
25 W	AC120 - 277 V	3500 lm	180°	756 cd	4000 K
CRI	Luminous Efficacy	Power Factor	Input Current	Base/Cap	Lamp Lifespan
80	140 lm/W	0.9	0.21 A	G5	50,000 Hrs.

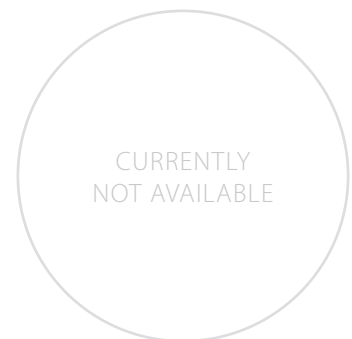
Product Features

- Non-Dimmable
- Instant-On/Off
- Mercury Free
- Damp Rated
- Double Ended

Product Dimensions



Product Photometric Data



Euri Lighting | A Division of **IRTRONIX** Inc.

20900 Normandie Avenue Bldg. B, Torrance, CA 90502 | Tel: 888.743.5766 | Fax: 310.787.1166 | www.eurilighting.com
©2017 Euri Lighting. All Rights Reserved