

| | |
|----------|--|
| Project: | |
| Types: | |
| Model# | |

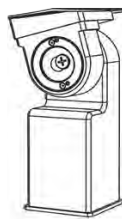
GLX 300W Series LED Area Light

PRODUCT DESCRIPTION

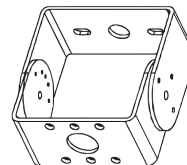
The Luminoso GLX series combines modern styling with the latest LED technology. It is available in a wide variety of wattages ranging from 60 to 300 watts and either 4000K or 5000K. The versatile lumen packages make this product ideal for nearly any exterior lighting application. With up to 70% energy savings over its traditional counterparts the GLX presents the future of area lighting.

PERFORMANCE SUMMARY

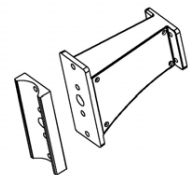
| |
|---|
| Efficacy: 112 Lm/W |
| Delivered Light Output: 33,618 Lumens |
| Input Power: 300 Watts |
| CRI: Ra>80 |
| CCT: 4000K / 5000K |
| Input Voltage: 120-277 / 347- 480 VAC** |
| Power Factor: >0.95 (120V) |
| Frequency: 50/60Hz |
| Standard Warranty: 5 Years |
| Standard Lifetime: Designed to L70 minimum 50,000 hours |
| Mounting: Slip Fitter / Direct Pole Mount / Tenon Mount |
| IP Rating: IP65 / Wet Rated |
| Die-cast aluminum housing |
| National listing lab tested with IES standards |
| Dimmable: 0-10V Dimming Capabilities |
| 7 Pin Nema Receptacle |



Slip fitter



Trunnion



Arm

ORDER INFORMATION

EXAMPLE: GLX-300W-Y-50K-3M-22-BZ-PC



| Series | Wattage | Voltage | CCT | Optics | Mount | Finish | Control |
|--------|---------|-----------------------------|----------------------------|------------------|---|---|---|
| GLX | 300W | Y=120-277V HV=347-480V** | 40K = 4000K 50K = 5000K | 2M** 3M 5M | 16=Slip fitter 21=Arm** 22=Trunnion** | BZ=Dark Bronze WH=White SL=Silver | Blank = Shorting Cap PC = 120-277V Photocell |

Enter configuration:

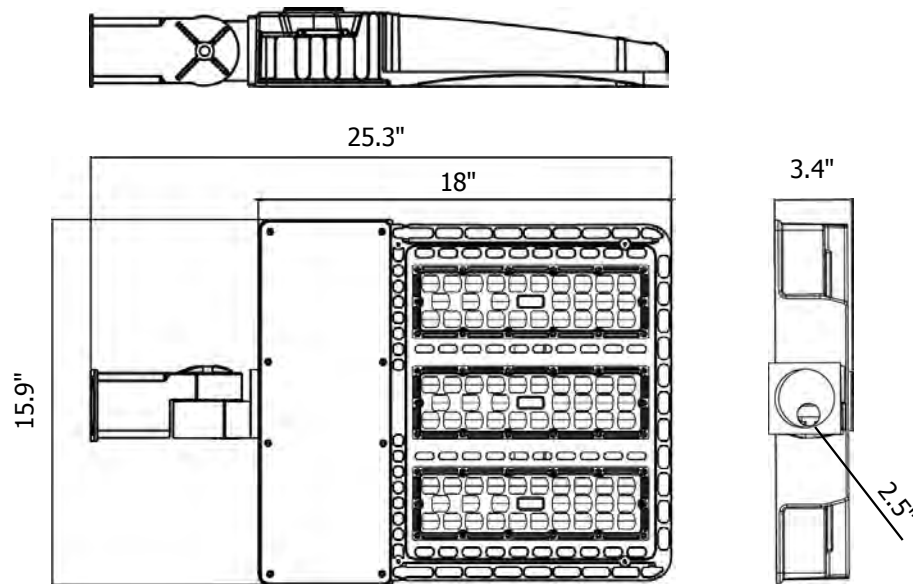
** Special Order / contact vendor

| GLX-300W | | | |
|-------------------|----------------------------|----------------------|-----------------|
| Power | 300W | LED Brightness Decay | <5%/6000 hrs |
| Input Voltage | AC120-277V 60Hz | Working Life | >50,000 hrs |
| PF | >0.95 | Working Temperature | -22°F ~ 113°F |
| Driver Efficiency | >90% | Storage Temperature | -40°F ~ 176°F |
| Luminous Flux | 33,618 Lm | Weight | 25.4 lb |
| Color Temperature | 3000K/4000K/5000K | IK | IK09 |
| CRI | Ra>80 | EPA | 0.51-0.62 sq.ft |
| Lighting Angle | Type II, Type III, Type Vs | Cable | 3 core,18AWG |

**** Special Order**

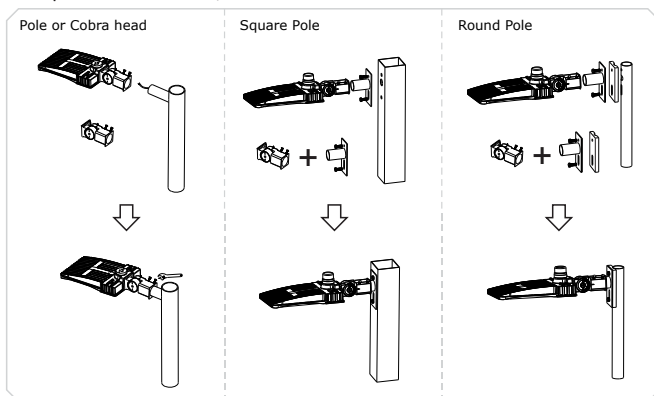
**** 347-480V AC Available**

Dimensions

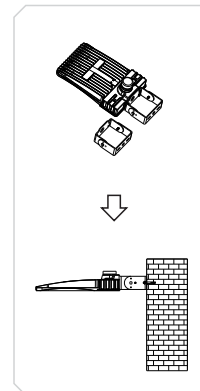


Mounting Options & Dimensions: Slip fitter / Trunnion Mount / Arm

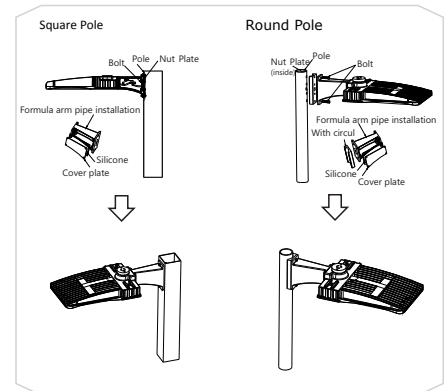
• Slip Fitter EPA:0.55 sq.ft



• Trunnion EPA:0.48 sq.ft

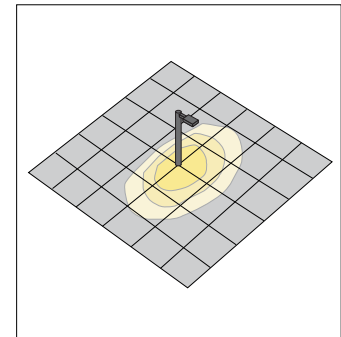
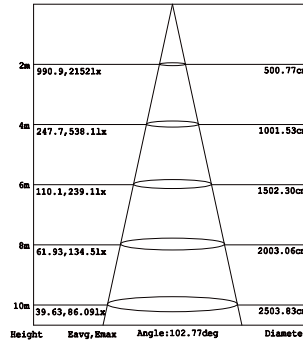
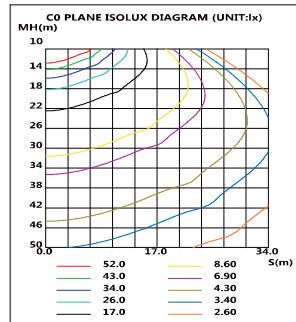
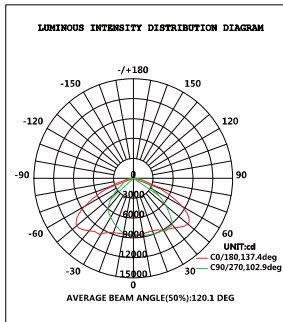


• Arm EPA:0.59 sq.ft

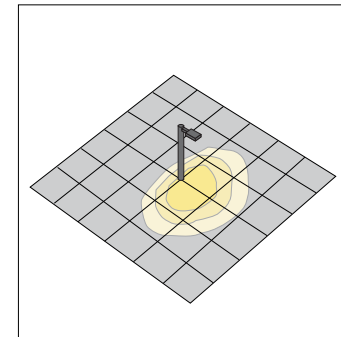
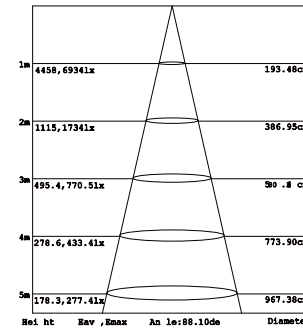
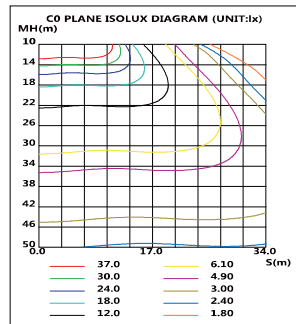
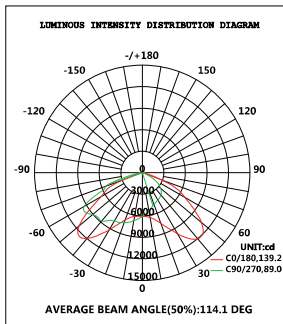


Photometry - All published luminaire photometric testing performed to IESNA LM-79-08 standards by a NVLAP accredited laboratory.

• Type II



• Type III



• Type Vs

