

ECFL45Q **ThermaLED** technology ThermaLED Medium Flood



1 2802 COMMODITY PL
TAMPA, FL 33626
PHONE: 844-636-2036
SALES@ECO-REVOLUTION.COM
WWW.ECO-REVOLUTION.COM

Order Information Example: ECFL45QF1X37U5KCZKN5P

Model	Beam	Wattage	Driver	CCT	Lens	Color	Mounting	Options
ECFL45Q	1X37				C			
ECFL45Q = ThermaLED Medium Flood	F =Medium Flood, 110°H x 100°V, NEMA 7H x 7V I =Spot Flood, 27°H x 27°V, NEMA 4H x 4V	1X37 =37w	U =120-277V H =347-480V	4K =4000K* 5K =5000K *4K for F Optics only.	C =Clear Flat Glass Lens	Z =Bronze C =Custom (Consult Factory)	KN =½" NPS Knuckle Included. SF = Slipfitter	SF =Single Fuse DF =Double Fuse SP =Surge Protection



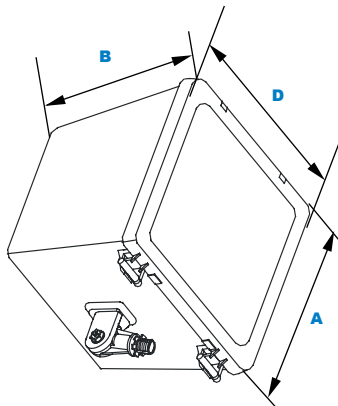
Shown with "KN" Knuckle Mounting Option.

L70
(25°C) **308,000 Hours**

Eco-Revolution's ECFL45Q flood light luminaire is available with a choice of knuckle or slip fitter mounting configurations and two optical distributions designed to replace HID lighting systems from 100w to 175w MH or HPS. Typical lighting applications include retail centers, industrial parks, schools and universities, public transit and airports, office buildings and medical facilities. Mounting can be accomplished using ground attachment accessories and up to heights of 20 feet based on light level and uniformity requirements.

Specifications and Features:

Housing:	Die-Cast Aluminum Housing & Hinged Gasketed Lens Frame. Nickel-Plated Stainless Steel Hardware.
Listing & Ratings:	CSA: Listed for Wet Locations, ANSI/UL 1598, 8750 IP55 Sealed LED Compartment.
Finish:	Textured Architectural Bronze Powdercoat Finish Over a Chromate Conversion Coating. Custom Colors Available Upon Request.
Lens:	Tempered Clear Flat Glass Lens
Mounting Options:	Adjustable Knuckle with Angle Indicators & ½" NPS Threads or Optional Adjustable Slipfitter with Angle Indicators.
ThermaLED LED:	Aluminum Boards
Wattage:	Array: 37.2w, System: 41w (175w HID Equivalent)
Driver:	Electronic Driver, 120-277V, 50/60Hz or 347-480V, 50/60Hz; Dimmable Driver
Warranty:	5-Year Warranty for -40°C to +50°C Environment.



Dimensions

Width (D)	9" (229mm)
Length (B)	7¼" (184mm)
Height (A)	10¼" (260mm)

LM-79 Report Available on Select Models.
See Page 2 for Projected Lumen Maintenance Table.

Certification & Listings:



DesignLights Consortium™
Qualified Luminaires:
ECFL45QF1X37U5KC***



Project Information:

Project Name: _____ Fixture Type: _____
 Complete Catalog #: _____ Date: _____
 Comments: _____

5 LOCATIONS
Tampa, FL
Vancouver, WA
Cerritos, CA
Walden, NY
Memphis, TN

Accessories & Replacement Parts:

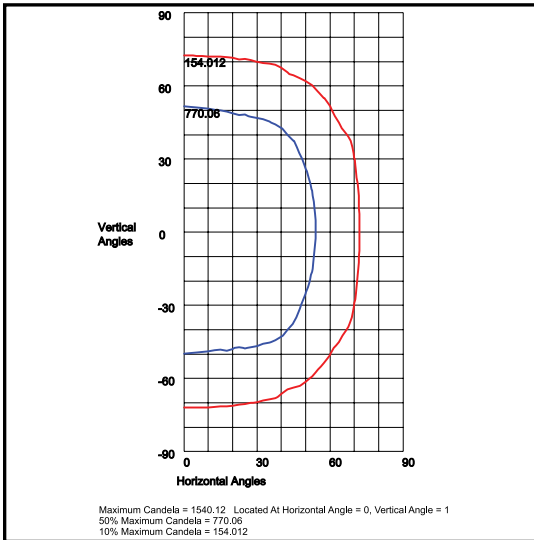


Mounting Accessories (Order separately, Field installed)	
ECFLPTFZ	Die-Cast Post Top Fitter for 2½" to 3½" Poles, Bronze Powdercoat Finish, Three (3) ½" Coin Plugs.
ECFLSTK	Heavy Duty Ground Stake, Built-in Wiring Compartment with ½" NPS Threaded Fitting, Black Plastic.

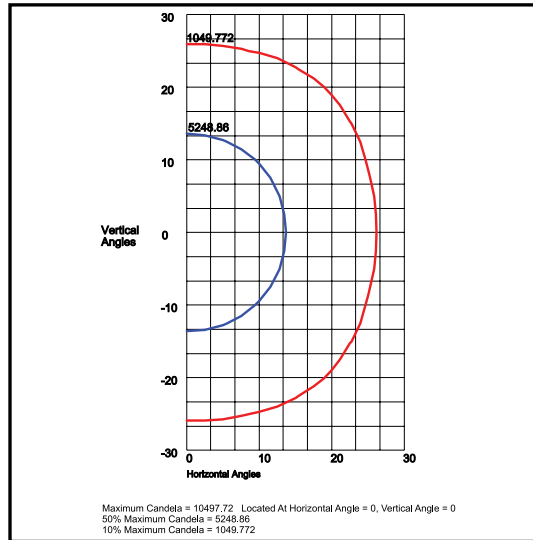
Accessories (Order separately, Field installed)	
ECFL45GSZ	Glare Shield, Aluminum, Bronze Powdercoat Finish, Includes Hardware.
ECFL45LG	Clear Polycarbonate Vandal Resistant Guard, Includes Hardware.
ECFL45WG	Wire Guard, Stainless Steel, Includes Hardware.

Replacement Parts (Order separately, Field installed)	
ECFL45GL	Tempered Clear Flat Glass Lens.
ECFL73SFXZ	External Mount Die-Cast Adjustable Slipfitter for 2½" Tenons, Bronze Powdercoat Finish, Includes Hardware.

Photometric Data



ECFL45QF1X37U5KC
110°H x 100°V Beam, NEMA 7H x 7V



ECFL45QI1X37U5KC
27°H x 27°V Beam, NEMA 4H x 4V

Photometric Performance

LED Board Watts	Drive Current (mA)	Input Watts	Beam	5000 CCT 80 CRI		4000 CCT 80 CRI		
				Lumens	LPW	Lumens	LPW	
ThermaLED 37w	525	41	F	110°H x 100°V, NEMA 7H x 7V	4,066	99	3,721	91
			I	27°H x 27°V, NEMA 4H x 4V	3,271	80	-	-

Projected Lumen Maintenance

Data shown for 5000 CCT			Compare to MH			
TM-21-11	Input Watts	Initial	25,000 Hrs	50,000 Hrs	100,000 Hrs	Calculated L70@ 25°C
L70 Lumen Maintenance @ 25°C / 77°F	41	1.00	0.98	0.95	0.90	308,000
TM-21-11	Input Watts	Initial	25,000 Hrs	50,000 Hrs	100,000 Hrs	Calculated L70@ 50°C
L70 Lumen Maintenance @ 50°C / 122°F	41	1.00	0.94	0.88	0.77	130,000
TM-21-11	Input Watts	Initial	25,000 Hrs	50,000 Hrs	100,000 Hrs	Calculated L80@ 40°C
L80 Lumen Maintenance @ 40°C / 104°F	41	1.00	0.96	0.92	0.84	123,000

NOTES:
1. Projected per IESNA TM-21-11. Data references the extrapolated performance projections for the 525mA base model in a 25°C ambient, based on 10,000 hours of LED testing per IESNA LM-80-08.
2. Compare to MH box indicates suggested Light Loss Factor (LLF) to be used when comparing to Metal Halide (MH) systems.