

# LED EM16-2050ew

Part #: EBMR16DM/B/6.5W/500/35D/50K/GU5.3/EW Bulb Class: MR16



## Product Description

**LED EM16-2050ew** delivers superior brightness, valuable energy savings and long lasting performance. This flood MR16 LED bulb is ideal for accent lighting due to its focal \*cool white light (5000K) replacing conventional 50 Watt incandescent bulbs. Built-in MCOB LED Technology offers exceptional light uniformity, energy efficiency, and optimal heat dissipation guaranteeing durability and constant bulb performance. Enjoy features such as: instant on, dimming options, shatter resistance and mercury free.



**Estimated Energy Cost:** \$0.78 per year

\*Note: Design, features and specifications subject to change without notice. Some features may not be available on all models. For more information regarding dimmer compatibility please visit: [www.eurilighting.com](http://www.eurilighting.com) or call 1-888-743-5766



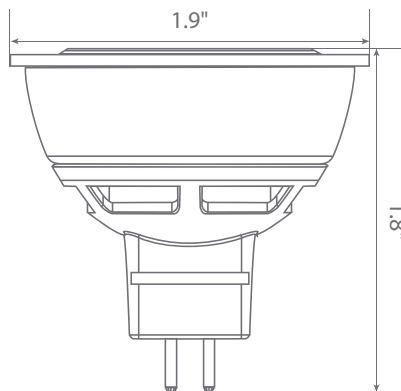
## Specifications

Input Power	Input Voltage	Lumen Output	Beam Angle	Center Beam	CCT
6.5 W	12V	500 lm	35°	1290 cd	5000 K
CRI	Luminous Efficacy	Power Factor	Input Current	Base/Cap	Lamp Lifespan
80	76 lm/W	0.9	0.08 A	GU5.3	25,000 Hrs.

### Product Features

- Dimmable
- Instant-On/Off
- Mercury Free
- Damp Rated

### Product Dimensions



### Product Photometric Data

