

LED EP20-2020ew

Part #: EBP20DM/B/7W/500/40D/27K/E26/EW Bulb Class: PAR20



Product Description

LED EP20-2020ew delivers superior brightness, valuable energy savings, long lasting performance and true color perception. This flood PAR20 LED bulb is ideal for task lighting due to its uniform yet focal *warm white light (2700K) replacing conventional 50 Watt incandescent bulbs. Built-in MCOB LED Technology offers exceptional light uniformity, energy efficiency, and optimal heat dissipation guaranteeing durability and constant bulb performance. Enjoy features such as: instant on, dimming options, shatter resistance, mercury free and 90+ CRI.



Estimated Energy Cost: \$0.84 per year



*Note: Design, features and specifications subject to change without notice. Some features may not be available on all models. For more information regarding dimmer compatibility please visit: www.eurilighting.com or call 1-888-743-5766

MCOB
LED TECHNOLOGY

50W
REPLACEMENT

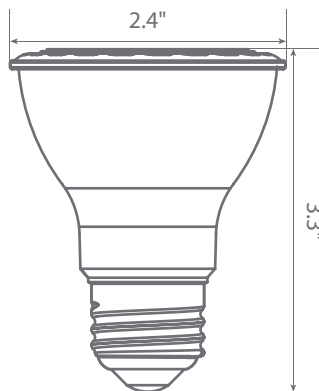
Specifications

Input Power	Input Voltage	Lumen Output	Beam Angle	Center Beam	CCT
7 W	120 V	500 lm	40°	843 cd	2700 K
CRI	Luminous Efficacy	Power Factor	Input Current	Base/Cap	Lamp Lifespan
90	71 lm/W	0.9	0.06 A	E26	40,000 Hrs.

Product Features

- Dimmable
- Instant-On/Off
- Mercury Free
- Wet Rated

Product Dimensions



Product Photometric Data

