



LED EPN22-1050S-2

Part #: EPN22DM/K/40W/4600/120D/50K/DLC/2 Class: LED Panel 2 ft. 2 Lamp



Product Description

LED EPN22-1050S-2 delivers superior brightness, valuable energy savings and long lasting performance. This LED Panel Light is ideal for task lighting due to its uniform *cool white light (5000K). Enjoy features such as: instant on, dimming options, shatter resistance, and mercury free.



Estimated Energy Cost: \$4.81 per year

*Note: Design, features and specifications subject to change without notice. Some features may not be available on all models. For more information please visit: www.eurilighting.com or call 1-888-743-5766

Available only as a twin-pack.
(EPN22-1050S-2 contains 2 LED Panels.)

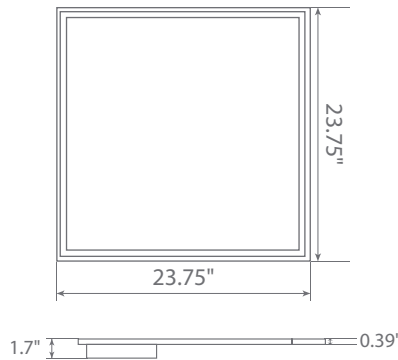
Specifications

Input Power	Input Voltage	Lumen Output	Beam Angle	Center Beam	CCT
40 W	AC100-277V	4600 lm	120°	N/A	5000 K
CRI	Luminous Efficacy	Power Factor	Input Current	Base/Cap	Lamp Lifespan
80	115 lm/W	0.9	0.6 A	NA	50,000 Hrs.

Product Features

- Dimmable
- Instant-On/Off
- Mercury Free
- Damp Rated

Product Dimensions



Product Photometric Data



UNIT: cd
— C0/180, 55.7, 58.3
— C90/270, 54.7, 56.4

Euri Lighting | A Division of **IRTRONIX** Inc.

20900 Normandie Avenue Bldg. B, Torrance, CA 90502 | Tel: 888.743.5766 | Fax: 310.787.1166 | www.eurilighting.com
 ©2017 Euri Lighting. All Rights Reserved