

Project: _____
 Type: _____
 Model#: _____

DESCRIPTION

4" LED Round Panel Light, DL RP4 consists of one trim of die-cast body and J-Box with driver. No housing is needed and installation is easy and fast.

PRODUCT SPECIFICATIONS

- White painted Diecast body is appropriate for heat dissipation.
- 2 Plastic clips pre-installed on unit for easy installation.
- One light J - Box

LED LIGHT ENGINE

- Protected LED driver performs at 120V (120-277V available).
- Dimming down to 10% with TRIAC dimmer (**at 120V only**).
- CCT 2700K, 3000K, 4000K, 5000K available
- CRI 90
- Long life LED chips guaranteed up to 50,000hours.

LISTINGS

- cULus Listed
- Wet locations
- RoHS compliances
- Tested in accordance with IESNA LM79 & LM80

PERFORMANCE DATA

3000K

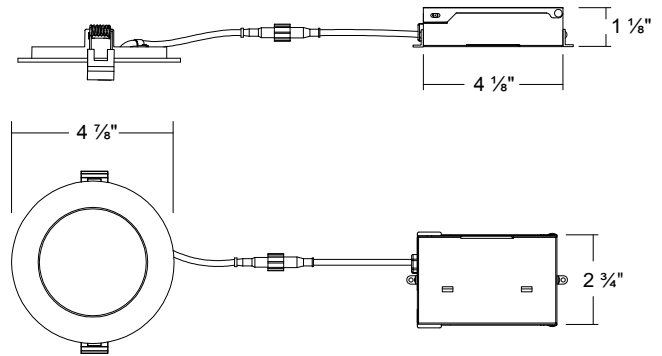
Input Voltage	120V / 120-277V*
Input Power	10W
Frequency	50 / 60Hz
Operation temp	-22°F ~ 104°F
Lumens	470
CRI	90

DL RP4

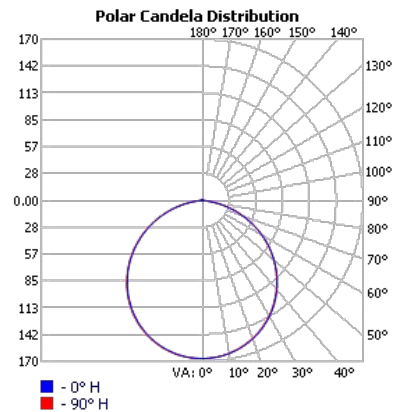
4" Round Panel LED



DIMENSIONS



PHOTOMETRIC



Standard Models		Style	Watts	Lumens	Kelvin	Volts	Beam	Finish
DL RP4 10 27K Z W	DL RP4 10 27K Y W	Round Panel	10	450	2700K	Z=120V / Y=120-277V*	120°	White
DL RP4 10 30K Z W	DL RP4 10 30K Y W	Round Panel	10	470	3000K	Z=120V / Y=120-277V*	120°	White
DL RP4 10 40K Z W	DL RP4 10 40K Y W	Round Panel	10	530	4000K	Z=120V / Y=120-277V*	120°	White
DL RP4 10 50K Z W	DL RP4 10 50K Y W	Round Panel	10	480	5000K	Z=120V / Y=120-277V*	120°	White

Z = 120 Volts * Y = 120-277 Volts

