

ECFL20L COB Technology

LED Small Flood



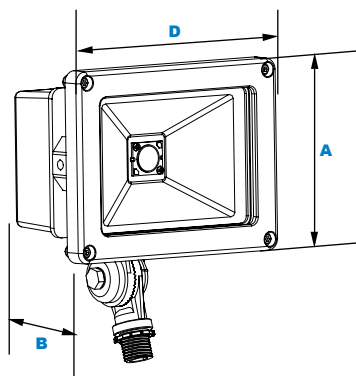
12802 COMMODITY PL
TAMPA, FL 33626
PHONE: 813-792-3674
SALES@ECO-REVOLUTION.COM
WWW.ECO-REVOLUTION.COM

Order Information Example:			ECFL20L1X18U5KZKP22			
Model	Wattage	Driver	CCT	Color	Mounting	Options
ECFL20L=Small LED Flood	1X18=18w	U=120-277V V=12V	4K=4000K 5K=5000K	Z=Bronze C=Custom (Consult Factory)	K=½" NPS Knuckle	P10=Pencil Photocell, 120VAC* P12=Pencil Photocell, 208-277VAC* P20=Swivel Photocell, 120VAC* P22=Swivel Photocell, 208-277VAC* *Not Available on 12V Model.



L70
(25°C) **128,000 Hours**

12V
AVAILABLE



Dimensions

Width (D)	9" (229mm)
Length (B)	7¼" (184mm)
Height (A)	10¼" (260mm)

The Eco-Revolution ECFL20 flood light luminaire is available with a knuckle mounting feature and is designed to replace HID lighting systems up to 100w MH or HPS. Typical lighting applications include retail centers, industrial parks, schools and universities, public transit and airports, office buildings and medical facilities. Mounting can be accomplished using ground attachment accessories and up to heights of 12 feet based on light level and uniformity requirements.

Specifications and Features:

Housing:	Die Cast Aluminum Housing and Front Frame with Separate Ballast Compartment. Integral Heat-Dissipating Fins for Thermal Management. ½" Threaded Aperture with Liquid-Tight Connector.
Listing & Ratings:	CSA: Listed for Wet Locations, ANSI/UL 1598, 8750 IP65 Sealed LED Compartment.
Finish:	Textured Architectural Bronze Powdercoat Finish Over a Chromate Conversion Coating. Custom Colors Available Upon Request.
Lens:	Clear Flat Glass Lens.
Mounting Options:	Adjustable Knuckle with ½" NPS Threads.
COB LED:	LED COB
Wattage:	COB: 1 x 18w; System: 21w; (70w HID Equivalent)
Driver:	Electronic Driver, 120-277V, 50/60Hz; Less Than 20% THD and PF>0.90. Standard Internal Surge Protection 2kV. 0-10V Dimming Standard for a Dimming Range of 100% to 10%; Dimming Source Current is 150 Microamps. 12V: Electronic Driver, 12-17VAC Input, 50/60Hz, Non-Dimmable
Controls:	Fixtures Ordered with Factory-Installed Photocell or Motion Sensor Controls are Internally Wired for Switching and/or 1-10V Dimming Within the Housing. Remote Direct Wired Interface of 1-10V Dimming is Not Implied and May Not Be Available. Please Consult Factory. Fixtures are Tested with Eco-Revolution Controls and May Not Function Properly With Controls Supplied By Others. Fixtures are NOT Designed for Use with Line Voltage Dimmers.
Warranty:	5-Year Warranty for -30°C to +50°C Environment.

See Page 2 for Projected Lumen Maintenance Table.

Certification & Listings:



DesignLights Consortium™
Qualified Luminaire:
ECFL20L1X18U5K



Project Information:

Project Name: _____
 Complete Catalog #: _____
 Comments: _____

Fixture Type: _____
 Date: _____

5 LOCATIONS
Tampa, FL
Vancouver, WA
Cerritos, CA
Walden, NY
Memphis, TN

ECFL20L COB Technology

LED Small Flood



12802 COMMODITY PL
TAMPA, FL 33626
PHONE: 813-792-3674
SALES@ECO-REVOLUTION.COM
WWW.ECO-REVOLUTION.COM

Accessories & Replacement Parts:



Mounting Accessories (Order Separately, Field Installed)	
ECFLPTFZ	Die-Cast Post Top Fitter for 2 3/4" to 3 1/2" Poles, Bronze Powdercoat Finish, Three (3) 1/2" Coin Plugs.
ECFLSTK	Heavy Duty Ground Stake, Built-in Wiring Compartment with 1/2" NPS Threaded Fitting, Black Plastic. For Line-Voltage Applications.
ECNA04	Plastic Ground Stake with 1/2" NPT Threads, 11" H x 3" Diameter. For Low-Voltage Applications.

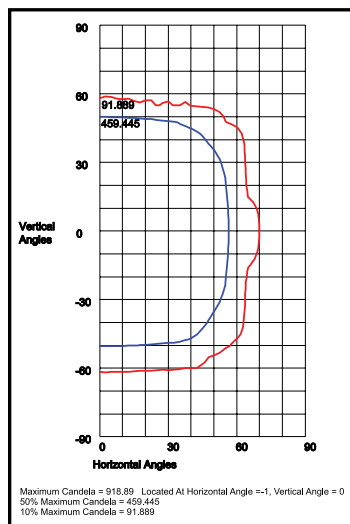
Accessories (Order Separately, Field Installed)	
ECFL20GTFZ	Die Cast Top Frame with Aluminum Glare Shield, Bronze Powdercoat Finish.
ECNT150BK	150w, 120V Black Powdercoat Steel Landscape Transformer, 12V, with Timer and Photocell
ECNT300SS	300w, 120V Stainless Steel Landscape Transformer, 12V, with Timer and Photocell
ECNT300SSM	300w, 120V Stainless Steel Landscape Transformer, Multi-Tap 12/14/17V, with Timer and Photocell

Replacement Parts (Order Separately, Field Installed)	
ECP18110*	110-130V, 120VAC Pencil Photocell
ECP18112*	208-277V, 240VAC Pencil Photocell
ECP18120*	110-130V, 120VAC Swivel Photocell
ECP18122*	208-277V, 240VAC Swivel Photocell

*Not Available on 12V Model.

*Shown mounted.

Photometric Data



ECFL20L1X18U5K
115"H x 100"V, NEMA 7H x 6V

Photometric Performance

LED Board Watts	Drive Current (mA)	Input Watts	Beam	5000 CCT 80 CRI	
				Lumens	LPW
COB LED 18w	525	21	115"H x 100"V, NEMA 7H x 6V	2,324	111

Projected Lumen Maintenance

Data shown for 5000 CCT		Compare to MH				
TM-21-11	Input Watts	Initial	25,000 Hrs	50,000 Hrs	100,000 Hrs	Calculated L70@ 25°C
L70 Lumen Maintenance @ 25°C / 77°F	21	1.00	0.94	0.88	0.77	128,000
TM-21-11	Input Watts	Initial	25,000 Hrs	50,000 Hrs	100,000 Hrs	Calculated L70@ 50°C
L70 Lumen Maintenance @ 50°C / 122°F	21	1.00	0.92	0.83	0.66	89,000
TM-21-11	Input Watts	Initial	25,000 Hrs	50,000 Hrs	100,000 Hrs	Calculated L80@ 40°C
L80 Lumen Maintenance @ 40°C / 104°F	21	1.00	0.93	0.86	0.72	71,000

NOTES:

1. Projected per IESNA TM-21-11. Data references the extrapolated performance projections for the 525mA base model in a 25°C ambient, based on 10,000 hours of LED testing per IESNA LM-80-08.
2. Compare to MH box indicates suggested Light Loss Factor (LLF) to be used when comparing to Metal Halide (MH) systems.