



# LED ET8-1151

Part #: ELT8/J/18W/2300/270D/50K/G13/T      Lamp Class: T8 (4 ft.)



Nano-plastic composites deliver splendid light distribution without compromising brightness or producing undesirable glare.



## Direct Replacement

Simply plug and play!

### Product Description

**LED ET8-1151** delivers superior brightness, valuable energy savings and long lasting performance. **EURI™** 4 ft. Direct Replacement T8 LED lamp is ideal for offices, conference rooms, hotels, academic complexes, research buildings, medical facilities and commercial stores. Built-in driver reduces maintenance expenses while NANO plastic composites deliver splendid light distribution without compromising brightness or generating undesirable glare. Available in 4000K *Bright White* and 5000K *Cool White*. Enjoy features such as: instant on, shatter resistance and mercury free.



**Estimated Energy Cost: \$2.16 per year**

\*Note: Design, features and specifications subject to change without notice. Some features may not be available on all models. Please visit [www.eurilighting.com](http://www.eurilighting.com) or call 1-888-743-5766 for more information.

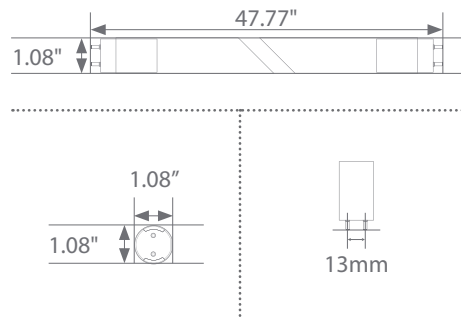
### Specifications

Input Power	Input Voltage	Lumen Output	Beam Angle	Center Beam	CCT
18 W	100-277 V	2300 lm	270°	N/A	5000 K
CRI	Luminous Efficacy	Power Factor	Input Current	Base/Cap	Lamp Lifespan
80	127 lm/W	0.9	0.1 A	G13	50,000 Hrs.

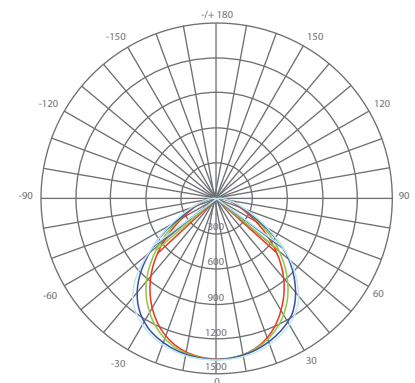
#### Product Features

- Non-Dimmable
- Instant-On/Off
- Mercury Free
- Damp Rated

#### Product Dimensions



#### Product Photometric Data



**Euri Lighting** | A Division of **IRTRONIX Inc.**

20900 Normandie Avenue Bldg. B, Torrance, CA 90502 | Tel: 888.743.5766 | Fax: 310.787.1166 | [www.eurilighting.com](http://www.eurilighting.com)  
 ©2017 Euri Lighting. All Rights Reserved