

Part Number	
Project Notes	

PATENT PENDING

J Series

DIRECT REPLACEMENT LED LAMP for 400W MH

Features

- Design** Patented plug and play LED technology for direct connections to HID MH ballasts from 400W through 175W.
 - Mounting** Direct screw in replacement for mogul sockets, uses existing MH magnetic ballast. For vertical mogul sockets, E39, EX39 and E40 lamp base. Compatible with pulse start and probe start Metal Halide ballasts.
 - Efficiency** Up to 145Lm/W. Saves 50% on energy costs over Metal Halide Lamps
 - Color Temp.** 5000°K. 70+ CRI. 4000°K available upon request
 - Safety** Instant on/off, eliminates arc tube re-strike timeout
 - Output** Up to 25,000 Lumens
 - Lifespan** L70: 60,000 hours
 - Warranty** 5-year warranty
 - Certification** UL, CE
 - Weight** K- 3.13lbs, E- 2.3lbs
 - Environmental** Ambient Temperature: -20C to +55C,
Relative Humidity: 15% to 85%, non-condensing
- JE Lamp can be used in enclosed fixture.**



Specifications

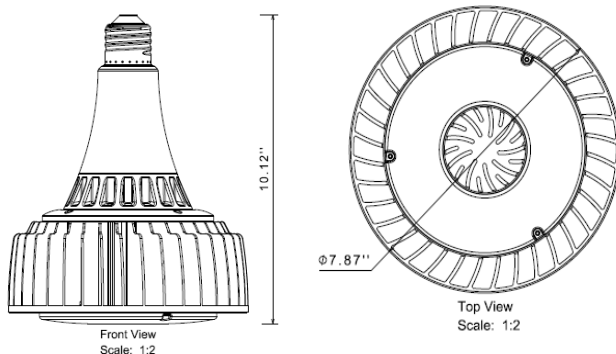
BALLAST	400W			350W			320W			250W			175W		
PART #	TOTAL LUMENS	LAMP WATTS	LM/WT	TOTAL LUMENS	LAMP WATTS	LM/WT	TOTAL LUMENS	LAMP WATTS	LM/WT	TOTAL LUMENS	LAMP WATTS	LM/WT	TOTAL LUMENS	LAMP WATTS	LM/WT
JK-400U-HO-750	24,000Lm	168W	145Lm/W	18,300Lm	148W	123Lm/W	16,800Lm	135W	125Lm/W	13,120Lm	109W	120Lm/W	9,180Lm	77W	119Lm/W
JE-400D-SO-750	19,000Lm	143W	126Lm/W	15,750Lm	126W	125Lm/W	14,500Lm	115W	126Lm/W	11,220Lm	91W	123Lm/W	7,880Lm	63W	126Lm/W

Ordering Information

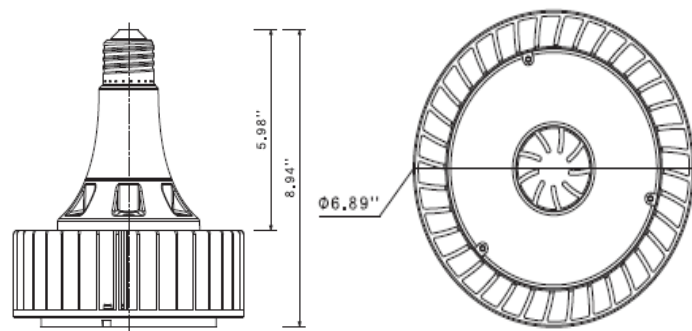
Example: **JK-400U-HO-750**

SERIES	DIMENSION	TYPE	OUTPUT	CRI	CCT
J-J Series	K	400U – 400U Metal Halide LED Retrofit - uplight/downlight	HO – High Output	7 – 70	50 – 5000°K
J-J Series	E	400D – 400D Metal Halide LED Retrofit - downlight	SO – Standard Output		

Product Dimensions



JK Series



JE Series