

LUNERA HID LED VERTICAL

207W-95W LED Replacement for High Intensity Discharge Lamps
Type B - Ballast Bypassed (E39/EX39 Mogul Base)

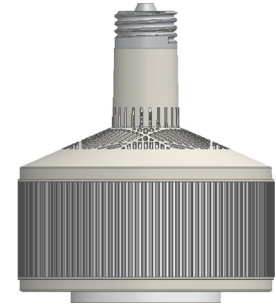
Description

The **LUNERA HID LED VERTICAL** is a line driven (Type B, ballast bypassed) LED replacement for Metal Halide (MH) and High Pressure Sodium (HPS) lamps with an E39/EX39 mogul base. This lamp replaces 400W~100W MH and HPS lamps in lighting applications and delivers up to 21,300 lumens of beautiful LED light.

The LUNERA HID LED VERTICAL lamp's built-in driver allows lamp operation from line voltage of 120V ~ 277V.

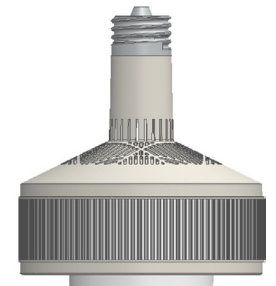
The LUNERA HID LED VERTICAL is available in 3500K, 4000K and 5000K color temperatures. The lamp delivers consistent light levels across its long life, which results in a high quality lighting experience for building occupants.

The LUNERA HID LED VERTICAL is rated at 50,000 hours and is backed by a five-year warranty. This lamp does not contain mercury, allowing for non-hazardous waste disposal.



Clear Lens

21,300lm
17,900lm
V



Frosted Lens

9,900lm
VS

Features

- Directly replaces 400W ~ 100W HID MH and HPS lamps with 207W ~ 95W LED
- Type B (ballast bypassed) Installation; supports 120V ~ 277V
- Delivers up to 21,300 (207W) / 17,900 (164W) / 9,900 (95W) lumens of usable light with >80 CRI
- CCT 3500K, 4000K and 5000K
- Supports E39/EX39 mogul base HID sockets
- Works well in enclosed fixtures
- Thermal IQ to support ambient temperatures up to 150°F
- 50,000 hours life to L70 with 5 Year Warranty



Ordering Information

Example: SN-V-E39-L-20KLM-835-G3

Series	Version	Socket Type	Power Supply	Lamp Lumens	CCT	Generation
SN Lunera HID (Metal Halide and High Pressure Sodium) LED	V Vertical 20KLM/15KLM	E39 Fits in mogul-base (E39/EX39) HID socket	L Ballast Bypassed 120V ~ 277V	20KLM 21,300lm 15KLM 17,900lm 9KLM 9,900lm	835: 80CRI / 3500K 840: 80CRI / 4000K 850: 80CRI / 5000K	G3 3rd Generation
	VS Vertical 9KLM					

PROJECT	CONTACT	MODEL NO.
REFERENCE NO.	QUANTITY	DATE

Performance Specifications - Vertical Mount Lamp - 21,300lm / 17,900lm

	21,300 lumens	17,900 lumens
Illumination		
Color Temperatures	3500K, 4000K, 5000K	3500K, 4000K, 5000K
Lumens	Up to 21,300lm	Up to 17,900lm
Color Consistency	Lunera TruColor LED Selection	Lunera TruColor LED Selection
Lumen Maintenance (L70)	50,000+ hours life	50,000+ hours life
Electrical System		
Input Voltage	120V - 277V (ballast bypassed)	120V - 277V (ballast bypassed)
Average Lamp Power	207W	164W
Lamp Wattage Replaced	400W/320W/310W/250W	400W/320W/310W/250W
Dimming	No	No
Physical		
Dimensions (H x W)	9.88" x 6.31"	9.88" x 6.31"
Weight	1.9lb	1.9lb
Housing and Finish	Plastic	Plastic
Heat Sink Size	6"	6"
Configuration	Vertical Standard Body/Heatsink (V)	Vertical Standard Body/Heatsink (V)
Lens	Clear	Clear
Environment		
Ambient Temperature*	-40°F to 150°F	-40°F to 150°F
Humidity Rating	Damp OK, no direct water spray	Damp OK, no direct water spray
Fixture Type	Open or enclosed	Open or enclosed
Installation		
Socket Type	Fits vertical mount mogul base (E39/EX39) HID socket	Fits vertical mount mogul base (E39/EX39) HID socket
Certifications & Qualifications		
UL (US and Canada)	Classified (UL1598-C)	Classified (UL1598-C)
RoHS Compliant	Contains no lead or mercury	Contains no lead or mercury
FCC**	Complies with Parts 15A/B	Complies with Parts 15A/B
DesignLights Consortium Listed	Yes, DLC 4.2	Yes, DLC 4.2
LM79, LM80, IES Files	Available. Contact Lunera.	Available. Contact Lunera.
Warranty		
Warranty	5 years	5 years

*Thermal IQ is a proprietary Lunera technology which enables the HID LED Lamp to operate reliably up to 150°F ambient by dimming itself at extreme temperatures based on the existing fixture's thermal characteristics.

**Operation is subject to the following conditions:

- (1) this device may not cause harmful interference, and
- (2) this device must accept any interference received, including interference that may cause undesired operations.

Performance Specifications - Vertical Mount Lamp - 9,900lm

	9,900 lumens
Illumination	
Color Temperatures	3500K, 4000K, 5000K
Lumens	Up to 9,900lm
Color Consistency	Lunera TruColor LED Selection
Lumen Maintenance (L70)	50,000+ hours life
Electrical System	
Input Voltage	120V - 277V (ballast bypassed)
Average Lamp Power	95W
Lamp Wattage Replaced	250W/175W/150W/100W
Dimming	No
Physical	
Dimensions (H x W)	8.59" x 6.31"
Weight	1.9lb
Housing and Finish	Plastic
Heat Sink Size	6" Small
Configuration	Vertical Short Body/Heatsink (VS)
Lens	Frosted
Environment	
Ambient Temperature*	-40°F to 150°F
Humidity Rating	Damp OK, no direct water spray
Fixture Type	Open or enclosed
Installation	
Socket Type	Fits vertical mount mogul base (E39/EX39) HID socket
Certifications & Qualifications	
UL (US and Canada)	Classified (UL1598C)
RoHS Compliant	Contains no lead or mercury
FCC**	Compliant with Parts 15A/B
DesignLights Consortium Listed	Yes, DLC 4.2
LM79, LM80, IES Files	Available. Contact Lunera.
Warranty	
Warranty	5 years





* Thermal IQ is a proprietary Lunera technology which enables the LUNERA HID LED VERTICAL to operate reliably up to 150°F ambient by dimming itself at extreme temperatures based upon thermal characteristics of the fixture in which it has been installed.

** Operation is subject to the following conditions:

- (1) this device may not cause harmful interference, and
- (2) this device must accept any interference received, including interference that may cause undesired operations.

Applications

The Lunera HID LED lamp is designed to replace MH and HPS lamps in the following compatible applications:

Wattage Compatibilities	Sockets	Power Source	Mount
Lunera HID LED Mogul (E39) Base  400W - 100W MH or HPS	E39 / EX39 Mogul 	120V /277V Line Voltage 	Vertical Mount High Bay / Low Bay Fixture Type  High Bay Low Bay

The Lunera HID LED lamp can be used in open and fully enclosed fixtures.

Product warranty will be VOIDED if the product is installed into/with the following:

- Installed with any type of dimmer
- Line Voltage **above** 277V (e.g. 347V, or 480V)
- LED Drivers
- Lamp installation while power is "ON" to the fixture

CAUTION

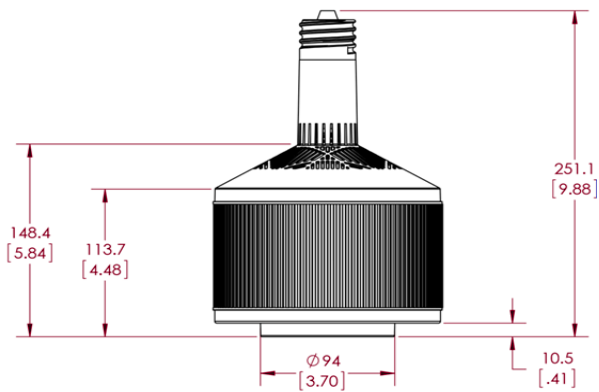
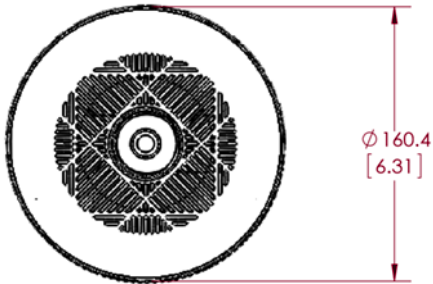
Turn OFF power when installing the lamp.

Do NOT install this lamp into line voltage above 277VAC.

Product Dimensions

Measurements are exact. Dimensions are shown in millimeters and inches. Please contact your Lunera representative for other product dimensions.

Vertical E39
21,300lm / 17,900lm
Clear Lens

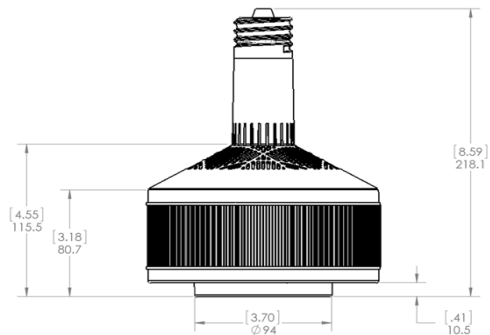
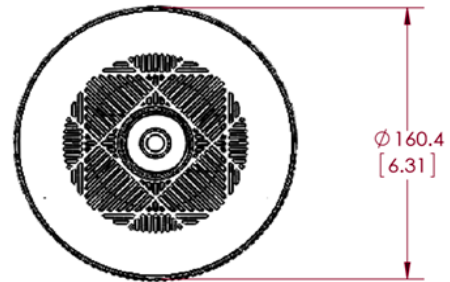


Sample Part Numbers:

SN-V-E39-L-20KLM-8XX-G3
 SN-V-E39-L-15KLM-8XX-G3

'XX': may be 35 (3500K), 40 (4000K), or 50 (5000K)

Vertical E39
9,900lm
Frosted Lens



Sample Part Number:

SN-VS-E39-L-9KLM-8XX-G3

'XX': may be 35 (3500K), 40 (4000K), or 50 (5000K)