

LED EP20-5040ew

4000K
CCT

Part #: EBP2020DM/B/8.5W/550/40D/40K/E26/E Bulb Class: PAR20

90+
CRI
True COLOR



Product Description

LED EP20-5040e delivers superior brightness, valuable energy savings and long lasting performance. This PAR20 LED bulb is ideal for ambient lighting or general purpose applications due to its comfortable *bright white light (4000K) and replaces conventional 50 Watt incandescent light bulbs. Enjoy features such as: instant on, dimming options, shatter resistance and mercury free.



Estimated Energy Cost: \$1.02 per year

*Note: Design, features and specifications subject to change without notice. Some features may not be available on all models. For more information regarding dimmer compatibility please visit: www.eurilighting.com or call 1-888-743-5766

Specifications

| Input Power | Input Voltage | Lumen Output | Beam Angle | Center Beam | CCT |
|-------------|-------------------|--------------|---------------|-------------|---------------|
| 8.5 W | 120V/60Hz | 550 lm | 40° | 1034 cd | 4000 K |
| CRI | Luminous Efficacy | Power Factor | Input Current | Base/Cap | Lamp Lifespan |
| 90+ | 64 lm/W | 0.8 | 0.07 A | E26 | 25,000 Hrs. |

Product Features



Dimmable



Instant-On/Off

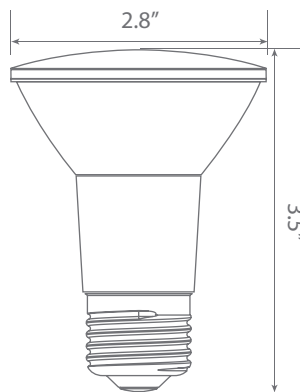


Mercury Free

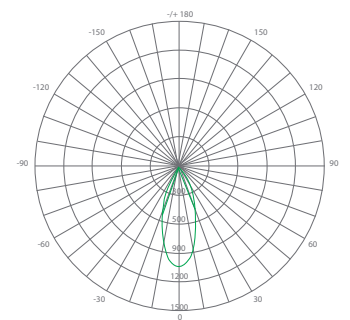


Wet Rated

Product Dimensions



Product Photometric Data



Euri Lighting | A Division of **IRTRONIX** Inc.