

ThermaLED Series

Small ThermaLED Moonglow



12802 COMMODITY PLACE
TAMPA, FL 33626
WWW.ECO-REVOLUTION.COM
813-792-3674

IP65



ECWPR30Q

Housing:

Round White ABS Housing with Hinged Front Frame and 4 Clips with Tamper Resistant Screws. Low Profile Opal Polycarbonate Lens for Evenly Diffused Light.

Mounting:

Surface Ceiling or Wall Mount

LumaFit LED:

Delivered Lumens: 1,869
CCT: 4000K
50,000 Hours
Microwave Sensor Ready
5-Year Warranty

Wattage:

System: 20w

Driver:

Electronic Driver, 120-277V, 50/60Hz
Dimmable Driver

Listing & Ratings:

CSA: Listed for Wet Locations, Wall and Ceiling Mount. IP65
Operating Temperatures: -40°C to +40°C

Options:

Battery Backup

Small ThermaLED Moonglow

Catalog #

Description

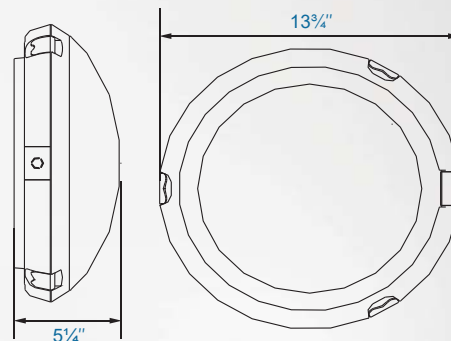
Complete Units

Ordering Information

Example: ECWPR30QF1X20U4KWS2

ECWPR30	Model:	ECWPR30
Q	LED Mfr:	Q=QSSI
F	Optics:	F=Medium Spread
1X	Number of Arrays:	1X=One
20	Wattage:	20=20w
U	Ballast:	U=120-277V
4K	CCT:	4K=4000K
W	Color:	W=White
S2	Options	S2=Microwave Sensor w/Dimming (Internal), for Mounting Heights of 15ft or Less

DIMENSIONS



ECWPR30Q



12802 COMMODITY PLACE
TAMPA, FL 33626
WWW.ECO-REVOLUTION.COM
813-792-3674

ThermaLED Series

Small ThermaLED Moonglow

Catalog #	Description
ECWPR32TAMKIT	Tamper-Resistant Kit Consisting of 4 Clips and Screws for ECWPR30 and ECWPR32 Models. Use One Kit Per Fixture.
ECP17117	Microwave Sensor w/Dimming (Internal), for Mounting Heights of 15ft or Less
EC3EBL1202774500	Provides 90 Minutes of Backup Power.



ECWPR32TAMKIT
(Shown Attached)

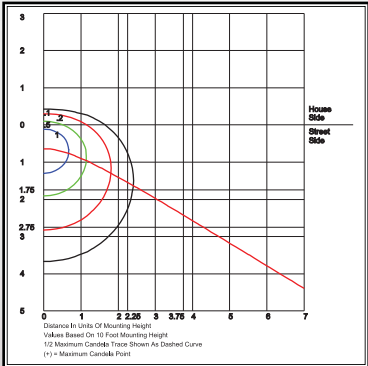


ECP17117



EC3EBL1202774500

PHOTOMETRICS



ECWPR30QF1X20U4K