

LUNERA T8 LED U-BENT

LED Replacement for Bi-Pin T8 U-Bent Fluorescent Lamp

Ballast Driven



Description

The LUNERA T8 LED U-Bent is an energy saving, Ballast Driven linear LED replacement for medium base Bi-Pin T8 U-Bent (2G13) fluorescent lamps up to 32W. It operates off of the existing electronic ballast and supports instant start, rapid start and programmed start electronic ballasts.

This beautiful LED lamp emits light over 330° of its surface, has a Color Rendering Index (CRI) of 83 and delivers up to 1,800 and 2,200 lumens of usable light. The Lunera T8 LED U-Bent features a glass tube for improved optics and is available in 3000K, 3500K, 4000K and 5000K color temperatures. It is available with a 6-inch or 2-inch spread.

The Lunera T8 LED U-Bent delivers over 50% energy savings and has a long lifespan rated at 50,000 hours and is supported by a five-year warranty. It contains no mercury allowing for non-hazardous waste disposal.

This lamp does NOT support line voltage.

Features

- Directly replaces up to 32W Bi-Pin (2G13) T8 U-Bent fluorescent lamps
- Supports plug-and-play Ballast Driven installation (Instant Start / Rapid Start / Programmed Start)
- Delivers up to 1,800 and 2,200 lumens of usable light
- >80 CRI
- CCT 3000K, 3500K, 4000K and 5000K
- 50,000 hours life to L70
- 5-Year Warranty



Ordering Information

Example: HN-T8UL-D-22-12W-830-G1

Series	Socket Type	Power Supply	Dimension	Lamp Wattage	CCT	Generation
HN Lunera T8 LED U-Bent	T8UL U-Bent fixture with a medium Bi-Pin T8 socket (2G13) 6" apart. T8US U-Bent fixture with a medium Bi-Pin T8 socket (2G13) 2" apart.	D Supports electronic T8 fluorescent ballast	22 22 inch tube	12W Produces 1,800 lumens 17W Produces 2,200 lumens	830 3000 Kelvin 835 3500 Kelvin 840 4000 Kelvin 850 5000 Kelvin	G1 1st Generation Frosted

PROJECT	CONTACT	MODEL NO.
REFERENCE NO.	QUANTITY	DATE

Product Specifications

Illumination

Color Temperatures	3000K, 3500K, 4000K, 5000K
Delivered Lumens:	Up to 1,800lm (12W Lamp T8UL) Up to 1,700lm (12W Lamp T8US) Up to 2,200lm (17W Lamp T8UL) Up to 2,100lm (17W Lamp T8US)
CRI	>80
Color Consistency	Lunera TruColor Proprietary Process
Lumen Maintenance (L70)	50,000+ hours life

Electrical System

Power Factor	> 90%
Total Harmonic Distortion	< 20%
Input Voltage	Dependent of the ballast (Lamp operates off of rapid, instant, and programmed start electronic ballasts)
Total Power	12W (1,800lm/1,700lm) 17W (2,200lm/2,100lm)
Lamp Wattage Replaced	32W and less
Dimming	Yes, ballast dependent
Ballast Factor	(0.88 - 1.00) The Lunera T8 LED U-Bent will respond to Low Ballast Factor (LBF) and Normal Ballast Factor (NBF) electronic ballasts the same as a fluorescent T8 lamp; ratings above are for a NBF ballast.

Physical

Weight	0.50 lbs
Housing and Finish	Glass, White
Optics	Optical Glass Diffusion
Beam Spread	330°
Beam Angle	230°

Environment

Ambient Operating Temp	-4°F to 113°F (-20°C to 45°C)
Ambient Operating Humidity	Dry and Damp Certified

Installation

Socket Type	2G13, Medium Bi-Pin T8 socket (Shunted and Non-Shunted Tombstone)
Line Voltage	No, this lamp is NOT approved for use with line voltage.

Certifications & Qualifications

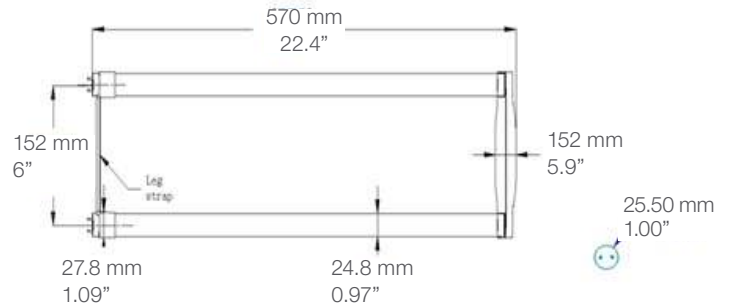
UL	Listed (UL1993) US & Canada
RoHS Compliant	Contains no lead or mercury
DLC Listed	No DLC category available
LM79, LM80, IES Files	Available. Contact Lunera.

Warranty

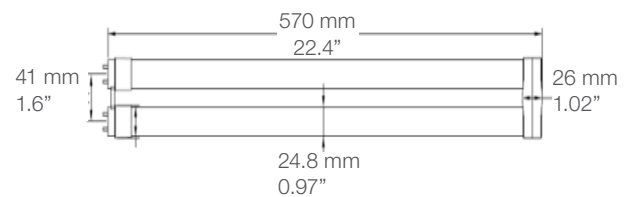
Warranty	5 years
----------	---------

Dimensions

U-Bent with 6" apart 2G13 sockets



U-Bent with 2" apart 2G13 sockets



Application Notes

For applications containing dimming ballasts, contact Lunera for specific compatibility.

This lamp supports shunted and non-shunted tombstones.

Do NOT install this lamp while power "ON" to the fixture.

Lamp installation in the following conditions and applications voids the product warranty:

- Fully enclosed fixtures
- Installation with an incompatible ballast, line voltage, or LED Drivers
- Installation in cracked, broken, dirty, or rusty tombstones
- Installation in wet areas
- Installation with HBF ballast reduces product warranty to 4 years
- Improper ballast wiring (e.g. 4-lamp ballast wired to run a 2-lamp application)

CAUTION

Turn power off when installing the lamp.

CAUTION - IF THE LAMP OR LUMINAIRE EXHIBITS UNDESIRABLE OPERATION (BUZZING, FLICKERING, ETC.), IMMEDIATELY TURN OFF POWER, REMOVE LAMP FROM LUMINAIRE AND CONTACT MANUFACTURER.

For Technical Support:

<http://bit.ly/luneratechsupport>

www.lunera.com

T (650) 241-3875

© 2017 Lunera Lighting, Inc. All Rights Reserved. Lunera and the Lunera logo are registered trademarks of Lunera Lighting, Inc. All other trademarks are the property of their respective owners. Specifications are subject to change without notice. This document is for informational purposes only. Rev11117

