

LUNERA T8 LED U-BEND

12W/15W/17W LED Replacement for Bi-Pin T8 U-Bend Fluorescent Lamp
Type A - Ballast Driven

Description

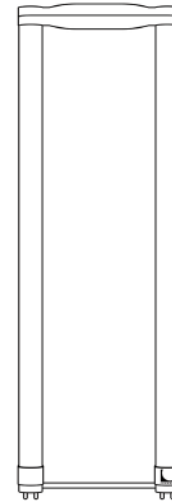
The **LUNERA T8 LED U-BEND** is a plug-and-play (Type A, ballast driven) T-LED replacement for a Bi-Pin T8 U-Bend (G13) fluorescent lamp up to 32W. It operates off of the existing electronic ballast and supports instant start, rapid start, and programmed start ballasts. No fixture rewiring is required.

This LED lamp emits beautiful light with a 330° Beam Angle, has a Color Rendering Index (CRI) of >80 and delivers up to 1,800 lumens (12W) or 2,200 lumens (15W or 17W) of usable light. The Lunera T8 LED U-Bend features a glass tube for improved optics and is available in 3000K, 3500K, 4000K and 5000K color temperatures. The lamp can be ordered in either a 6-inch or 1-5/8-inch gap configuration.

This lamp includes Thermal Fuse Protection, with 5 fuses (one per pin and one on the electronics board) that safely disable the lamp in the event of thermal/overheating issues caused by arcing or shorts due to faulty fixture wiring, ballast failure, or socket degeneration.

The Lunera T8 LED U-Bend is rated at 50,000 hours and backed by a five-year warranty. It contains no mercury allowing for non-hazardous waste disposal.

This Type A ballast driven product does NOT support line voltage.



6" Gap
(T8UL-version)



1-5/8" Gap
(T8US-version)

Features

- Directly replaces up to 32W/31W/29W/28W/25W Bi-Pin (G13) T8 U-Bend fluorescent lamps with 12W, 15W or 17W LED
- Type A Lamp - Plug and Play (ballast driven) Installation - supports Instant-, Rapid and Programmed-Start fluorescent ballasts
- Delivers up to 1,800 (12W) or 2,200 (15W or 17W) lumens of usable light with >80 CRI
- CCT 3000K, 3500K, 4000K and 5000K
- 50,000 hours life to L70 / 5 Year Warranty

Check Ballast Compatibility*:

<http://bit.ly/Lunera-Ballast-Lists>



6" Gap version;
Excl 3000K

Example: HN-T8UL-D-22-12W-830-G1

Ordering Information

Series	Socket Type	Power Supply	Dimension	Lamp Wattage	CCT	Generation
HN Lunera T8 LED U-Bend	T8UL U-Bend fixture with Bi-Pin T8 socket (G13) 6" apart	D Supports electronic T8 fluorescent ballasts	22 22 inch tube	12W (UL and US) Replaces up to 32W with 1,800 lumens	830: 3000K 835: 3500K 840: 4000K 850: 5000K	G1 1st Generation Frosted
	T8US U-Bend fixture with Bi-pin T8 socket (G13) 1-5/8" apart			15W (UL) Replaces up to 32W with 2,200 lumens 17W (US) Replaces up to 32W with 2,200 lumens		

PROJECT	CONTACT	MODEL NO.
REFERENCE NO.	QUANTITY	DATE

Product Specifications

Illumination

Color Temperatures	3000K, 3500K, 4000K, 5000K	
Delivered Lumens:	T8UL (6" Gap)	Up to 1,800lm (12W) Up to 2,200lm (15W)
	T8US (1-5/8" Gap)	Up to 1,700lm (12W) Up to 2,100lm (17W)
CRI	>80	
Color Consistency	Lunera TruColor LED Selection	
Lumen Maintenance (L70)	50,000+ hours life	

Electrical System

Power Factor	> 90%
Total Harmonic Distortion	< 20%
Input Voltage	Dependent of the ballast (Lamp operates off of rapid, instant, and programmed start electronic ballasts)
Lamp Power	12W (1,800lm (UL) 12W (1,700lm (US) 15W (2,200lm (UL) 17W (2,100lm (US)
Lamp Wattage Replaced	Up to 32W
Dimming	Visit bit.ly/Lunera-Ballast-Lists
Ballast Factor	<1
	The Lunera T8 lamp may be used with Low Ballast Factor (LBF) and Normal Ballast Factor (NBF) electronic ballasts.

Physical

Weight	0.50 lbs
Housing and Finish	Glass, White
Optics	Optical Glass Diffusion
Beam Angle / Beam Spread	330° / 230°

Environment

Ambient Operating Temp	-4°F to 113°F (-20°C to 45°C)
Thermal Fuse Protection*	Yes
Ambient Operating Humidity	Dry and Damp Certified

Installation

Socket Type	Medium Bi-Pin G13 socket (Shunted and Non-Shunted Tombstone)
Line Voltage	No, this lamp is NOT approved for use with line voltage

Certifications & Qualifications

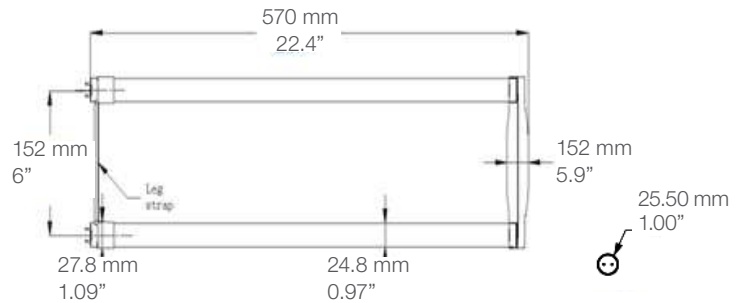
UL (US and Canada)	Listed (UL 1993)
RoHS Compliant	Contains no lead or mercury
LM79, LM80, IES Files	Available. Contact Lunera.
DesignLights Consortium Listed	Yes, 4.2 (6" Gap version; Excl 3000K)

Warranty

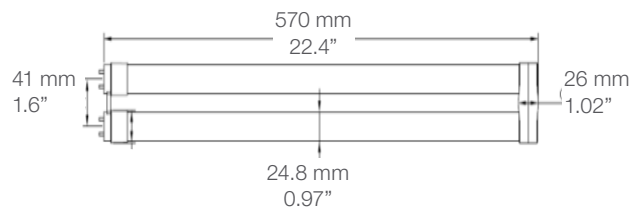
Warranty	Five-years
----------	------------

Dimensions

U-Bend with 6" apart G13 sockets



U-Bend with 1-5/8" apart G13 sockets



Application Notes

The Lunera T8 LED U-Bend supports operation with Normal Factor (0.88) and Low Ballast Factor (0.77). For High Ballast Factor (1.18), confirm compatibility with Lunera.

Product warranty will be voided under the following conditions or if installed into the following applications:

- Installation with line voltage, LED drivers, or incompatible ballasts
- Gasketed (sealed) fixtures
- Wet environments
- Broken, cracked, rusted or dirty improper wiring to the tombstones/lamp

* Thermal fuses incorporated into Lunera's T8 LED lamps eliminate thermal/overheating issues when installed in the following applications:

- Gasketed (sealed) fixtures
- Lamp installation with incorrect ballast-socket (tombstone) wiring
- Hot-plugging that may lead to internal arcing

CAUTION

Turn power OFF when installing the lamp.

CAUTION - IF THE LAMP OR LUMINAIRE EXHIBITS UNDESIRABLE OPERATION (BUZZING, FLICKERING, ETC.), IMMEDIATELY TURN OFF POWER, REMOVE LAMP FROM LUMINAIRE AND CONTACT MANUFACTURER.