

ECWPR25GRQ **ThermaLED** echnology

ThermaLED Excel Round Bulkhead Grid Frame



1 2802 COMMUNITY PL
TAMPA, FL 33626
PHONE: 844-636-2036
SALES@ECO-REVOLUTION.COM
WWW.ECO-REVOLUTION.COM

| Order Information Example: | | ECWPR25GRQF1X17U5KLZSF | | | | | |
|---|-----------|------------------------|------------|----------------------------------|---------------------------------------|--|---|
| Model | Optics | Wattage | Driver | CCT | Lens | Color | Options |
| ECWPR25GRQ= ThermaLED Excel Round Bulkhead Grid Frame | F=Type IV | 1X17=17w | U=120-277V | 3K=3000K 4K=4000K 5K=5000K | L=LumaLens Polycarbonate Opal Lens | Z=Bronze W=White C=Custom (Consult Factory) | SF=Single Fuse DF=Double Fuse SP=Surge Protector P10=Pencil Photocell, 120VAC P12=Pencil Photocell, 277VAC S2=Microwave Sensor w/ Dimming (Internal), for Mounting Heights of 15ft or Less BU=Battery Backup, 90 Minutes |

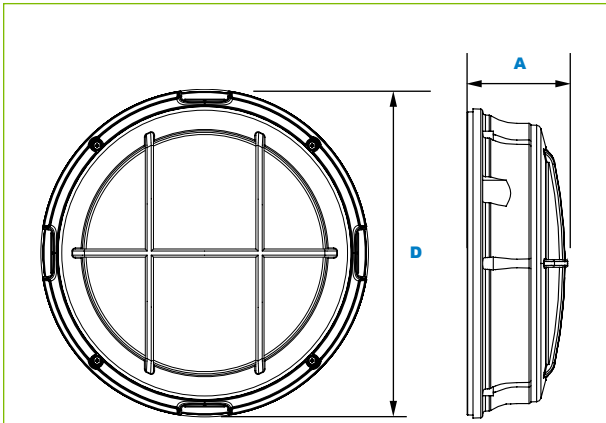


L70
(25°C) **187,000 Hours**

Eco-Revolution's Excel Round Bulkhead is designed to replace HID lighting systems up to 100w MH or HPS. The grid frame helps protect the polycarbonate lens and adds a decorative appearance. Typical applications include office and public buildings, condominiums, schools, shopping malls, and hospitality. Recommended mounting heights are 8 to 20 feet.

Specifications and Features:

| | |
|-------------------------------|---|
| Housing: | Die Cast Gasketed Aluminum Grid Front Frame and Housing with Integral Heat Sinking and Driver Compartment. Nickel-Plated Stainless Steel Hardware. Photocell Adaptable. |
| Listing & Ratings: | CSA: Listed for Wet Locations, ANSI/UL 1598, 8750 IP65 Sealed LED Compartment. |
| Finish: | Textured Powdercoat Finish Over a Chromate Conversion Coating. Custom Colors Available Upon Request. |
| Lens: | LumaLens Polycarbonate Opal Lens Eliminates LED Hot Spots. |
| Mounting Options: | Surface Mount |
| ThermaLED LED: | Aluminum Boards |
| Wattage: | Array: 17w, System: 19.7w (100w HID Equivalent) |
| Driver: | Electronic Driver, 120-277V, 50/60Hz; Dimmable Driver |
| Warranty: | 5-Year Warranty for -40°C to +50°C Environment. |



| Dimensions | |
|---------------------|--------------|
| Diameter (D) | 12½" (318mm) |
| Height (A) | 4¾" (111mm) |

See Page 2 for Projected Lumen Maintenance Table.

Certification & Listings:



| | | |
|-----------------------------|---------------------------|---------------------|
| Project Information: | Project Name: _____ | Fixture Type: _____ |
| | Complete Catalog #: _____ | Date: _____ |
| | Comments: _____ | _____ |
| | _____ | _____ |

5 LOCATIONS
Tampa, FL
Vancouver, WA
Cerritos, CA
Walden, NY
Memphis, TN

ECWPR25GRQ **ThermaLED** technology

ThermaLED Excel Round Bulkhead Grid Frame



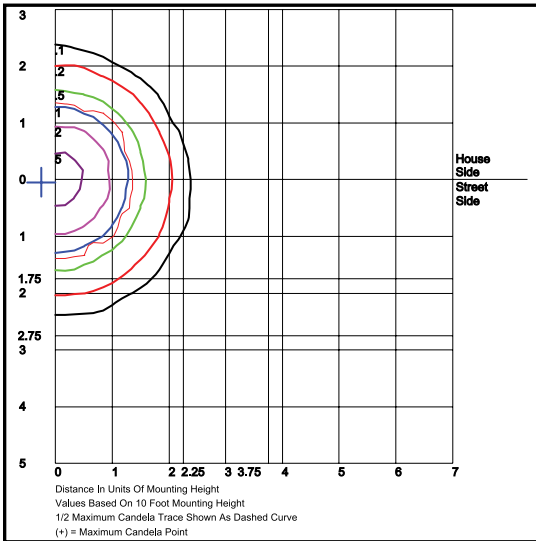
1 2802 COMMUNITY PL
TAMPA, FL 33626
PHONE: 844-636-2036
SALES@ECO-REVOLUTION.COM
WWW.ECO-REVOLUTION.COM
A QSSI COMPANY SINCE 1985

Accessories & Replacement Parts:



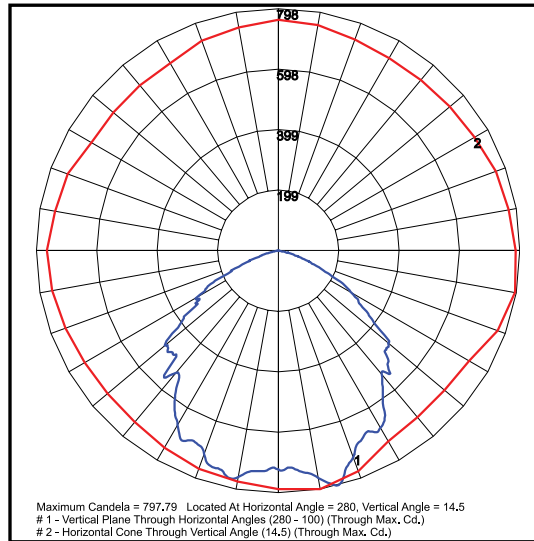
| Replacement Parts (Order separately, Field installed) | |
|--|---|
| EC3EBL120277 | Battery Backup, Provides 90 Minutes of Backup Power. |
| ECP18110 | 110-130V 120VAC Pencil Photocell |
| ECP18112 | 208-277V 240VAC Pencil Photocell |
| ECP17117 | Microwave Sensor w/Dimming (Internal), for Mounting Heights of 15ft or Less |

Photometric Data



ECWPR25GRQF1X17U5K
Type IV

Grid in MH
MH=10 Feet



ECWPR25GRQF1X17U5K
Type IV

Grid in MH
MH=10 Feet

Photometric Performance

| LED Board Watts | Drive Current (mA) | Input Watts | Optics | 5000 CCT 80 CRI | | | | | 4000 CCT 80 CRI | | | | | 3000 CCT 80 CRI | | | | |
|----------------------|--------------------|-------------|---------|-----------------|-----|---|---|---|-----------------|-----|---|---|---|-----------------|-----|---|---|---|
| | | | | Lumens | LPW | B | U | G | Lumens | LPW | B | U | G | Lumens | LPW | B | U | G |
| ThermaLED 17w | 525 | 20 | Type IV | 1,976 | 99 | 1 | 1 | 0 | 1,897 | 95 | 1 | 1 | 0 | 1,748 | 87 | 1 | 1 | 0 |

Projected Lumen Maintenance

| Data shown for 5000 CCT | | | Compare to MH | | | |
|---|-------------|---------|---------------|------------|-------------|----------------------|
| TM-21-11 | Input Watts | Initial | 25,000 Hrs | 50,000 Hrs | 100,000 Hrs | Calculated L70@ 25°C |
| L70 Lumen Maintenance @ 25°C / 77°F | 20 | 1.00 | 0.96 | 0.92 | 0.84 | 187,000 |
| TM-21-11 | Input Watts | Initial | 25,000 Hrs | 50,000 Hrs | 100,000 Hrs | Calculated L70@ 50°C |
| L70 Lumen Maintenance @ 50°C / 122°F | 20 | 1.00 | 0.96 | 0.91 | 0.82 | 113,000 |
| TM-21-11 | Input Watts | Initial | 25,000 Hrs | 50,000 Hrs | 100,000 Hrs | Calculated L80@ 40°C |
| L80 Lumen Maintenance @ 40°C / 104°F | 20 | 1.00 | 0.94 | 0.89 | 0.77 | 88,000 |

NOTES:

1. Projected per IESNA TM-21-11. Data references the extrapolated performance projections for the 525mA base model in a 25°C ambient, based on 10,000 hours of LED testing per IESNA LM-80-08.
2. Compare to MH box indicates suggested Light Loss Factor (LLF) to be used when comparing to Metal Halide (MH) systems.