



100W
REPLACEMENT

LED EP38-4020cecw-2

Part #: EBP38DM/M/12W/1050/40D/27K/E26/CEC/2 Bulb Class: PAR38

2700K
CCT

90+
CRI
True COLOR

JA8
COMPLIANT



Product Description

LED EP38-4020cecw-2 delivers superior brightness, valuable energy savings, long lasting performance and true color perception. These PAR38 LED spot bulbs are ideal for task lighting due to its uniform *warm white light (2700K) and replace conventional 100 Watt incandescent light bulbs. Enjoy features such as: instant on, dimming options, shatter resistance, mercury free, 90+CRI and damp rated.



Estimated Energy Cost: \$1.44 per year

*Note: Design, features and specifications subject to change without notice. Some features may not be available on all models. For more information regarding dimmer compatibility please visit: www.eurilighting.com or call 1-888-743-5766

Available only as a twin-pack.
(EP38-4020cecw-2 contains 2 LED Bulbs.)

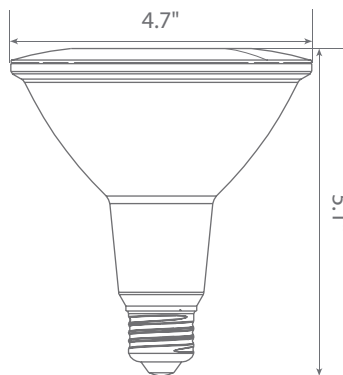
Specifications

Input Power	Input Voltage	Lumen Output	Beam Angle	Center Beam	CCT
12 W	120V/60Hz	1050 lm	40°	N/A	2700 K
CRI	Luminous Efficacy	Power Factor	Input Current	Base/Cap	Lamp Lifespan
90	87 lm/W	0.9	0.1 A	E26	25,000 Hrs.

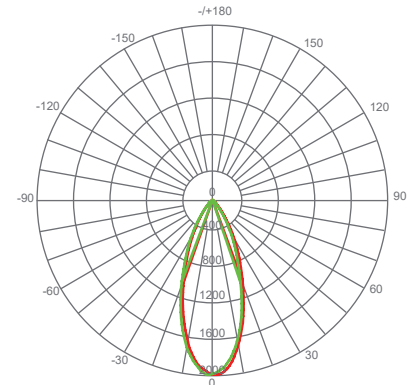
Product Features

- Dimmable
- Instant-On/Off
- Mercury Free
- Damp Rated

Product Dimensions



Product Photometric Data



Euri Lighting | A Division of IRTRONIX Inc.

20900 Normandie Avenue Bldg. B, Torrance, CA 90502 | Tel: 888.743.5766 | Fax: 310.787.1166 | www.eurilighting.com
©2018 Euri Lighting. All Rights Reserved